

1 ROUREG™ - 1 ROUREG™ OPEM - 1 ROUREG™ CONTACT MINI BLUE SCREW TERMINAL

fail secure (power to open)

- Tri-voltage 6, 12, 24V AC/DC
- Diode protecting against self effect
- Permanent opening by mechanical OPEM lever (SEM1LB)
- Open or closed door position sensor (SEM1CB)
- Adjustable latch (3 mm) and reduced aperture offset



SEM1LB

SEM1CB

CHARACTERISTICS

Dimensions SEM1B / SEM1LB 61,75 x 15,8 x 25,5 mm
H x W x D SEM1CB 64,60 x 15,80 x 25,5 mm

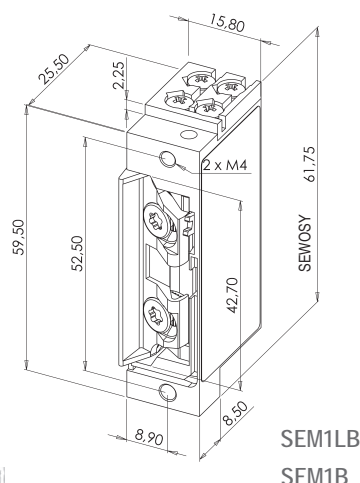
	6-12V AC/DC		400-800 mA
	12-24V AC		200-400 mA
	48V AC/DC-1A		350*
	-10 +60 °C		

* Maximal theoretical holding forces, for an implementation meeting the optimum laying conditions

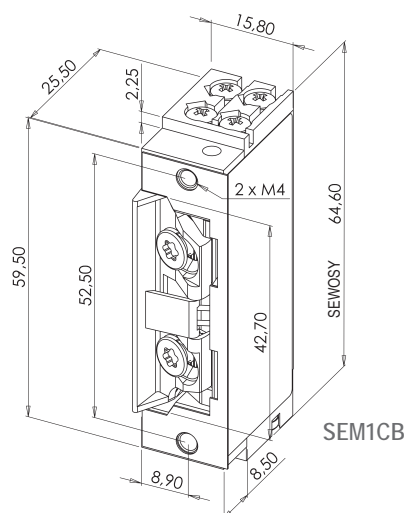
Caution: allowed voltages (refer to technical characteristics)

SEM1B	Electric strike 1 ROUREG mini blue 6 - 24V	0.12 kg
SEM1LB	Electric strike 1 ROUREG mini blue OPEM 6 - 24V	0.12 kg
SEM1CB	Electric strike 1 ROUREG mini blue contact 6 - 24V	0.12 kg

Customs code
83014019



SEM1LB
SEM1B



SEM1CB

